



*Doing business with the world since 1968*

# PRODUCT

## SELECTION GUIDE

Exit Sign   Emergency Light   Led Emergency Driver



## Chinese Factory



**Factory Covers Area:**  
20,000 Square Meters

**Facility and Production Area:**  
50,000 Square Meters



Emergency Light | Exit Sign | Led Emergency Driver

## Vietnam Factory



**Factory Covers Area:**  
23,000 Square Meters

**Facility and Production Area:**  
15,000 Square Meters



Emergency Light | Exit Sign | Led Emergency Driver

## LED EMERGENCY LIGHT



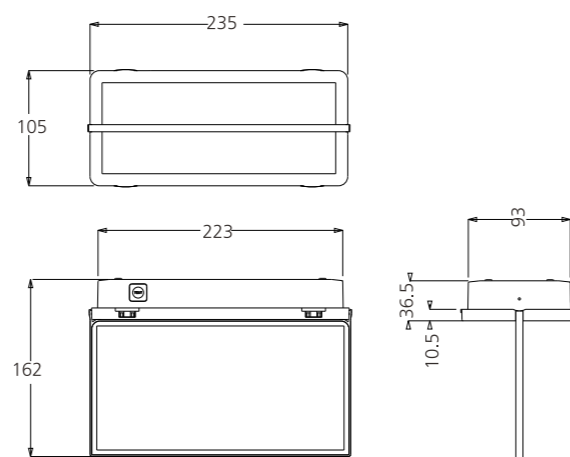
CE RoHS



New slim type bulkhead emergency light  
Clear polycarbonate diffuser & ABS housing  
20pcs SMD2835 LED for enhanced lumen output  
3 hours maintained operation  
Can be converted to Edge-lit exit signs by accessories  
Optional multi directional sticker legend kit  
Complies with IEC60598-2-22, ROHS  
With self-test functions ZC517

Model No.	517
Mode of operation	Maintained/Non-Maintained
Supply Voltage	220-240V
Input power	ACDC/5W, DC/1W
Output power	1.7W
Lumen Output	200LM
CCT	6000-7000K
Battery	3.2V2000mAH LiFePO4
Max Charge Current (mA)	150mA
Max Discharge Current (mA)	550mA
Charging Time	≤24h
Discharging Time	3h
Lamp	2835-0.2W*20PCS
IP Rating	IP65
P.F	≥0.4
Certification	CE
Packing detail	25x22.5x20.5cm/10pcs

**Dimension:**



**Optional multi directional legend stickers.**



## LED EMERGENCY LIGHT



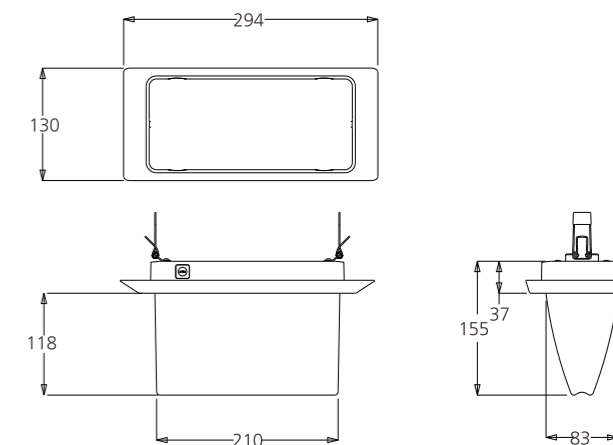
CE RoHS



New slim type bulkhead emergency light  
Clear polycarbonate diffuser & ABS housing  
20pcs SMD2835 LED for enhanced lumen output  
3 hours maintained operation  
Can be converted to Edge-lit exit signs by accessories  
Optional multi directional sticker legend kit  
Complies with IEC60598-2-22, ROHS  
With self-test functions ZC518

Model No.	518
Mode of operation	Maintained/Non-Maintained
Supply Voltage	220-240V
Input power	ACDC/5W, DC/1W
Output power	1.7W
Lumen Output	200LM
CCT	6000-7000K
Battery	3.2V2000mAH LiFePO4
Max Charge Current (mA)	150mA
Max Discharge Current (mA)	550mA
Charging Time	≤24h
Discharging Time	3h
Lamp	2835-0.2W*20PCS
IP Rating	IP65
P.F	≥0.4
Certification	CE
Packing detail	40.5x31.5x31.5cm/6pcs

**Dimension:**



**Optional multi directional legend stickers.**



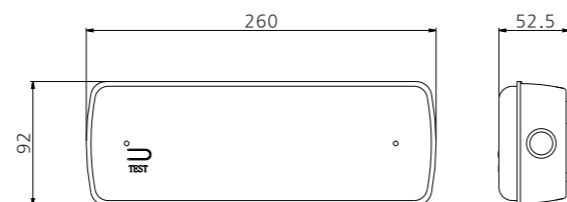
## LED EMERGENCY LIGHT

CE  RoHS



New slim type bulkhead emergency light  
Clear polycarbonate diffuser & ABS housing  
14 pcs SMD2835 LED for enhanced lumen output  
3 hours non-maintained operation  
Optional multi directional sticker legend kit  
Complies with IEC60598-2-22, ROHS  
With self-test functions ZC516-3W/516-5W

**Dimension:**



Model No.	516-5W	516-3W
Mode of operation	AC/DC	DC
Supply Voltage	AC220-240V-50/60HZ	220-240V-50/60HZ
Power Consumption	5W	3W
Output Voltage	4V	4V
Output Power	2W	1.5W
Lumen Output	150LM	100LM
Colour Temperature	6000-7000K	6000-7000K
Battery	3.7V/1500mAH Li-ion	3.7V/1200mAH Li-ion
Max Charge Current (mA)	200mA	200mA
Max Discharge Current (mA)	500mA	350mA
Charging Time	24H	24H
Discharge Time	≥3H	≥3H
LED	14PCS SMD2835 LED	14PCS SMD2538 LED
IP Rating	IP20	IP20
Safety Classification	II	II
Product material	PC	PC
Use of environment	0-40°C	0-40°C
P.F	0.4	0.4
Beam angle	120	120
CRI	80	80
Packing detail	51X29X37cm/30pcs	51X29X37cm/30pcs

**Optional multi directional legend stickers.**



## LED EMERGENCY LIGHT

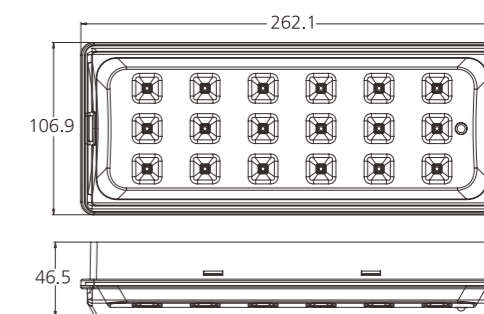
CE  RoHS



New slim type bulkhead emergency light  
Clear polycarbonate diffuser & ABS housing  
18pcs SMD3528 LED for enhanced lumen output  
3 hours maintained operation can be wired as non-maintained  
Optional multi directional sticker legend kit  
Complies with IEC60598-2-22, ROHS  
With self-test functions : ZC506LI

Model No.	506LI
Mode of operation	Maintained/Non-Maintained
Supply Voltage	220-240V
Input power	AC/DC/3W, DC/1W
Output power	0.9W
Lumen Output	100LM
CCT	6000-7000K
Battery	3.2V1500mAH LiFePO4
Max Charge Current (mA)	110mA
Max Discharge Current (mA)	300mA
Charging Time	≤24h
Discharging Time	3h
Lamp	3528-0.2W*18PCS
IP Rating	IP20
P.F	≥0.4
Certification	CE
Packing detail	36X28X25cm/12pcs

**Dimension:**



**Optional multi directional legend stickers.**



## LED EMERGENCY LIGHT



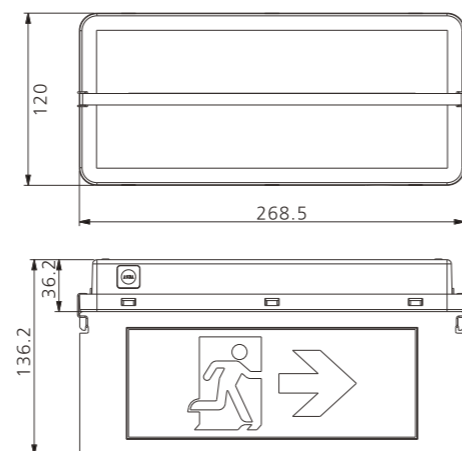
CE ✓ RoHS



New slim type bulkhead emergency light  
Clear polycarbonate diffuser & ABS housing  
11/21 pcs SMD3528 LED for enhanced lumen output  
3 hours maintained operation  
Can be converted to Edge-lit exit signs by accessories  
Optional multi directional sticker legend kit  
Complies with IEC60598-2-22, ROHS  
With self-test functions ZC 515-11/515-21

Model No.	515-11	515-21
Mode of operation	Maintained	Maintained
Supply Voltage	220-240V/50-60Hz	220-240V/50-60Hz
Power Consumption	MAX2.0W	MAX2.8W
Output Voltage	DC5V±0.5V	DC5V±0.5V
Output Power	2.8W	3.8W
Lumen Output	80Lm MAX	160Lm MAX
Colour Temperature	6000-7000K	6000-7000K
Battery	3.6V1000mAh NI-MH	3.6V1500mAh NI-MH
Max Charge Current (mA)	MAX 100mA	MAX 200mA
Max Discharge Current (mA)	MAX 280mA	MAX 500mA
Charging Time	24H	24H
Discharge Time	3H	3H
LED	SMD2835 11PCS	SMD2835 21PCS
IP Rating	IP65	IP65
Safety Classification	II	II
Certification	CE ROHS	CE ROHS
Packing detail	40X29X21cm/12pcs 8/7KGS	40X29X21cm/12pcs 8/7KGS

### Dimension:



### Optional multi directional legend stickers.

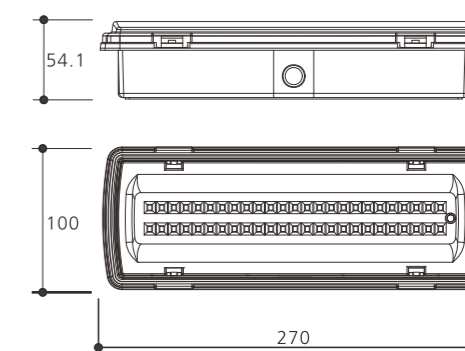


## LED EMERGENCY LIGHT

CE ✓ RoHS



### Dimension:



New slim type bulkhead emergency light  
Clear polycarbonate diffuser & ABS housing  
50/24 pcs SMD2835 LED for enhanced lumen output  
3 hours non-maintained operation  
Optional multi directional sticker legend kit  
Complies with IEC60598-2-22, ROHS  
With self-test functions :ZC 507L24VE,ZC507L50VE

Model No.	507L50	507L24
Mode of operation	Non-maintained	Maintained/Non-Maintained
Supply Voltage	220-240V 50-60Hz	220-240V 50-60Hz
Power Consumption	2W	4.5W
Output Voltage	9.5V	9.5V
Output Power	4W	2.5W
Lumen Output	400Lm MAX	200Lm MAX
Battery	7.4V1500mAh Li-ion Battery	7.4V1200mAh Li-ion Battery
Max Charge Current(mA)	110	110
Max Discharge Current(mA)	500	400
Charging Time	24H	24H
Discharging Time	3H	3H
Lamp	SMD2835 50pcs	SMD2835 24pcs
IP Rating	IP65	IP65
Certification	CE ROHS	CE ROHS
Packing detail	41.5X31X30cm/12pcs 8/7KGS	41.5X31X30cm/12pcs 8/7KGS

### Optional multi directional legend stickers.



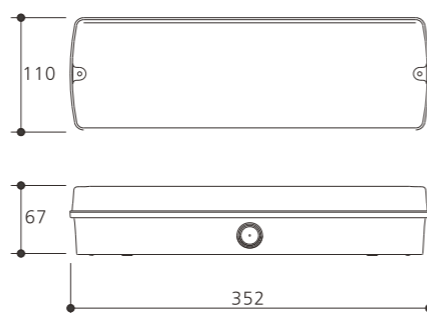
## LED EMERGENCY LIGHT



New slim type bulkhead emergency light  
Clear polycarbonate diffuser & ABS housing  
27pcs SMD3528 LED for enhanced lumen output  
3 hours maintained operation can be wired as non-maintained  
Optional multi directional sticker legend kit  
Complies with IEC60598-2-22, ROHS  
With self-test functions : ZC AD500-1

Model No.	AD500
Mode of operation	Maintained /Non-maintained
Supply Voltage	220-240V 50-60Hz
Power Consumption	4W
Output Voltage	5.2V
Output Power	1.62W
Lumen Output	130Lm MAX
Battery	3.6V1.5Ah Ni-Cad Battery
Max Charge Current(mA)	230
Max Discharge Current(mA)	365
Charging Time	24H
Discharging Time	3H
Lamp	SMD3528 27pcs powerful LED
IP Rating	IP65
Certification	CE ROHS
Packing detail	38.5X33.2X38.5cm/12pcs 8.4/7.4KGS

### Dimension:



### Optional multi directional legend stickers.



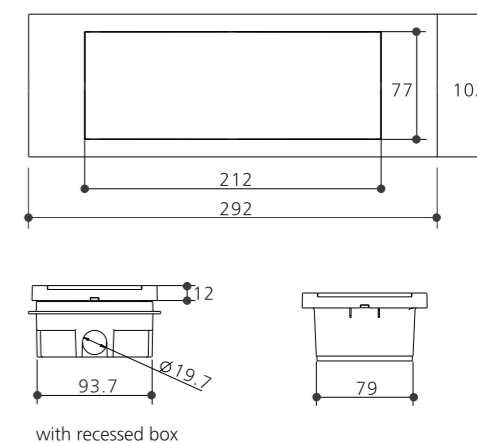
## LED EMERGENCY LIGHT



New slim type emergency light with recessed box  
Clear polycarbonate diffuser & ABS housing  
Led located on the side make the display smooth  
3 hours non-maintained or maintained operation  
Optional multi directional sticker legend kit  
Complies with IEC60598-2-22, ROHS  
With self-test functions ZC 511

Model No.	511
Mode of operation	Non-Maintained / Maintained
Supply Voltage	220-240V 50-60Hz
Power Consumption	2.6W MAX
Output Voltage	DC 5V±0.5V
Output Power	0.7W
Lumen Output	85Lm MAX
Battery	3.6V1000mAh Ni-Cad Battery
Max Charge Current(mA)	100mA
Max Discharge Current(mA)	280mA
Charging Time	24H
Discharging Time	3H
Lamp	SMD LED2835* 20pcs
IP Rating	IP20
Certification	CE ROHS
Packing detail	38X32X25.5cm/12pcs 7.6/7.0KGS

### Dimension:



### Optional multi directional legend stickers.

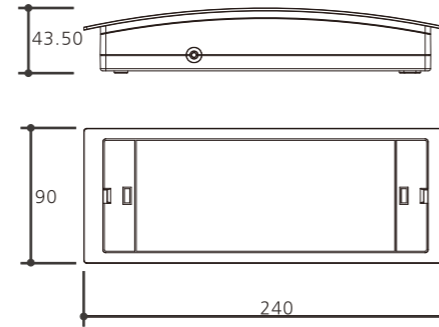


## LED EMERGENCY LIGHT

New simple type emergency light  
Clear polycarbonate diffuser & ABS housing  
12pcs SMD2835 led with tube-like shape  
3 hours non-maintained or maintained operation  
Optional multi directional sticker legend kit  
Complies with IEC60598-2-22, ROHS  
With self-test functions ZC513

Model No.	513
Mode of operation	Non-Maintained / Maintained
Supply Voltage	220-240V 50-60Hz
Power Consumption	2.6W MAX
Output Voltage	DC 5V±0.5V
Output Power	0.7W
Lumen Output	85Lm MAX
Battery	3.6V1000mAh Ni-Cad Battery
Max Charge Current(mA)	100mA
Max Discharge Current(mA)	280mA
Charging Time	24H
Discharging Time	3H
Lamp	2835* 12pcs
IP Rating	IP20
Certification	CE ROHS
Packing detail	49X28.5X24cm/30pcs 10/9KGS

**Dimension:**



Optional multi directional legend stickers.

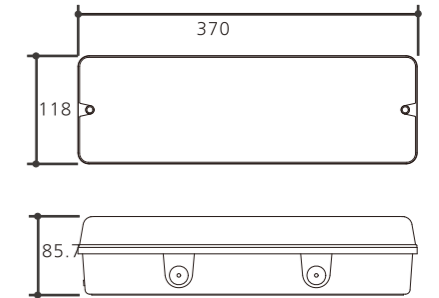


## LED EMERGENCY LIGHT

Traditional bulkhead emergency light  
Clear polycarbonate diffuser & ABS housing  
50pcs powerful LED for enhanced lumen output  
3 hours non-maintained or maintained operation  
Optional multi directional sticker legend kit  
Complies with IEC60598-2-22, ROHS  
With self-test functions ZC502L

Model No.	502L
Mode of operation	Non-Maintained
Supply Voltage	220-240V 50-60Hz
Power Consumption	3.4W
Output Voltage	4V
Output Power	3W
Lumen Output	78Lm MAX
Battery	3.6V2.5Ah Ni-Cad Battery
Max Charge Current(mA)	327
Max Discharge Current(mA)	332
Charging Time	24H
Discharging Time	3H
Lamp	50pcs powerful LED
IP Rating	IP65
Certification	CE
Packing detail	52.5X40X29.5cm/12pcs 18/17KGS

**Dimension:**



Optional multi directional legend stickers.



## EXIT SIGNS

New slim design exit sign  
PMMA exit panel & ABS housing  
3 hours maintained operation  
Smart design for ceiling/wall/side mount application  
Complies with IEC60598-2-22, ROHS

New slim design exit sign  
PMMA exit panel & ABS housing  
3 hours maintained operation  
Adjustable bracket for ceiling/wall/side mount application  
Complies with IEC60598-2-22, ROHS

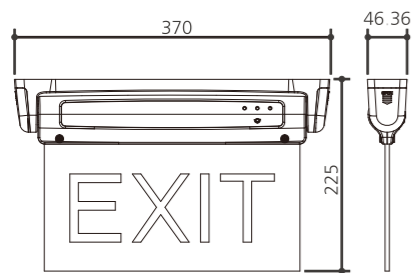
Model No.	2912
Mode of operation	Maintained
Supply Voltage	220-240V 50-60Hz
Power Consumption	2W
Output Voltage	3.6V
Output Power	0.3W
Lumen Output	8.6Lm MAX
Battery	3.6V500mAH Ni-Cad Battery
Max Charge Current(mA)	46mA
Max Discharge Current(mA)	138mA
Charging Time	24H
Discharging Time	6H
Lamp	5pcs super bright LED
IP Rating	IP20
Certification	CE
Packing detail	56.5X39X25cm/10pcs 9.5/8.5KGS

Model No.	297
Mode of operation	Maintained
Supply Voltage	220-240V 50-60Hz
Power Consumption	2.5W
Output Voltage	3.6V
Output Power	0.3W
Lumen Output	8.3Lm MAX
Battery	3.6V500mAH Ni-Cad Battery
Max Charge Current(mA)	106mA
Max Discharge Current(mA)	142mA
Charging Time	20H
Discharging Time	6H
Lamp	5pcs power LED
IP Rating	IP20
Certification	CE
Packing detail	41X37X25cm/10pcs 8/6.5KGS

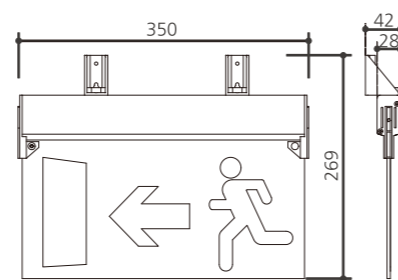


CE RoHS

Dimension:



Dimension:



## EXIT SIGNS

New led box emergency light  
PMMA exit panel & steel housing  
3 hours maintained operation  
Wall mount only  
Complies with IEC60598-2-22, ROHS  
With self-test functions : ZC 2914

New slim design exit sign  
PS exit panel & ABS housing  
3 hours maintained operation  
Smart design for ceiling/wall/side mount application  
Complies with IEC60598-2-22, ROHS  
Includes direction stickers to indicate the correct exit

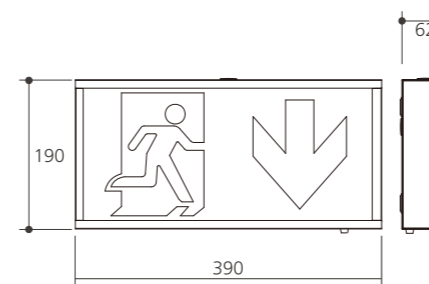
Model No.	2914
Mode of operation	Maintained
Supply Voltage	220-240V 50-60Hz
Power Consumption	4.5W
Output Voltage	3.6V
Output Power	2.5W
Lumen Output	126Lm MAX
Battery	3.6V1.8AH Ni-Cad Battery
Max Charge Current(mA)	70mA
Max Discharge Current(mA)	700mA
Charging Time	24H
Discharging Time	3H
Lamp	SMD 5050LED 12PCS
IP Rating	IP20
Certification	CE
Packing detail	40X37.5X20cm/6pcs 9/8KGS

Model No.	2912BC-1
Mode of operation	Maintained
Supply Voltage	220-240V 50-60Hz
Power Consumption	4W
Output Voltage	3.6V
Output Power	1W
Lumen Output	50Lm MAX
Battery	3.7V 1200mAH Li-ion
Max Charge Current(mA)	50mA
Max Discharge Current(mA)	330mA
Charging Time	24H
Discharging Time	3H
Lamp	10pcs SMD2835LED
IP Rating	IP20
Certification	CE
Packing detail	56.5X39X25CM/10pcs 9.5/8.5KGS

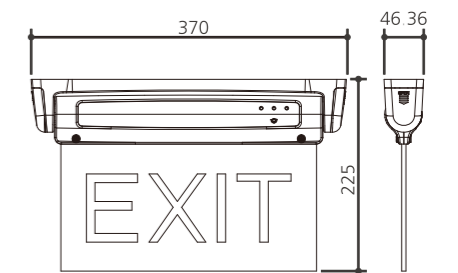


CE RoHS

Dimension:



Dimension:





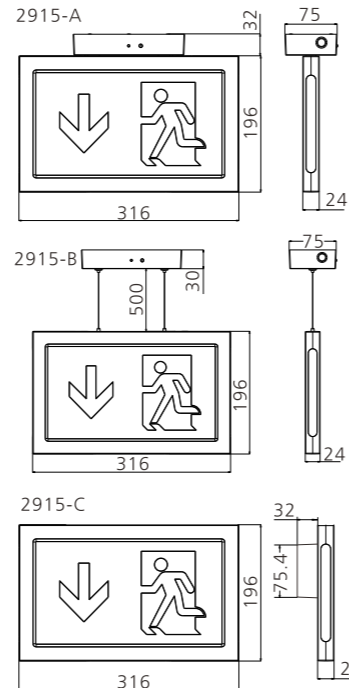
## EXIT SIGNS

CE RoHS



Brand new Plastic housing emergency exit sign  
Wall mounted/Ceiling mounted/Cord suspended ceiling mounted  
The light is equipped with 19pcs 2835 LED lights with a total of 1.2 Watt  
Includes direction stickers to indicate the correct exit  
Complies with IEC60598-2-22, ROHS

Dimension:



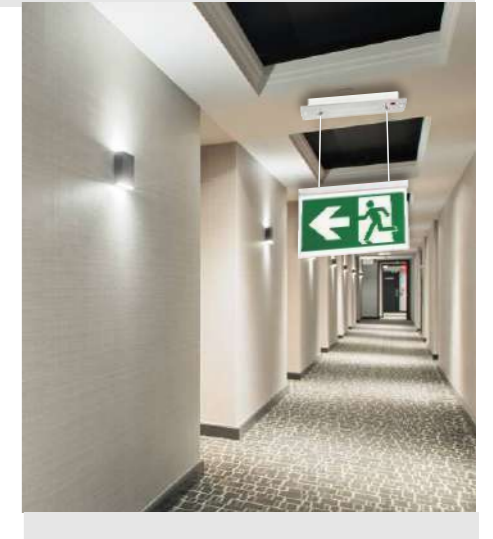
Model No.	2915-A	2915-B	2915-C
Mode of operation	Maintained	Maintained	Maintained
Supply Voltage	220-240V/50-60Hz	220-240V/50-60Hz	220-240V/50-60Hz
Power Consumption	3.6W	3.6W	3.6W
Output Voltage	DC5V±0.5V	DC5V±0.5V	DC5V±0.5V
Output Power	1.2W	1.2W	1.2W
Colour Temperature	6000-7000K	6000-7000K	6000-7000K
Battery	3.6V1000mAH NI-MH	3.6V1000mAH NI-MH	3.6V1000mAH NI-MH
Max Charge Current (mA)	100mA	100mA	100mA
Max Discharge Current (mA)	450mA	450mA	450mA
Charging Time	24H	24H	24H
Discharge Time	3H	3H	3H
LED	SMD2835 *19PCS	SMD2835 *19PCS	SMD2835 *19PCS
Net Weight(Single unit)	1.02Kg	1.02Kg	1.02Kg
Gross Weight(Single unit)	1.3Kg	1.3Kg	1.3Kg
IP Rating	IP20	IP20	IP20
Safety Classification	II	II	II
Certification	CE ROHS	CE ROHS	CE ROHS
Packing detail	67X35X25cm/10pcs	67X35X25cm/10pcs	64X34X24cm/10pcs

Optional multi directional legend stickers.



## EXIT SIGNS

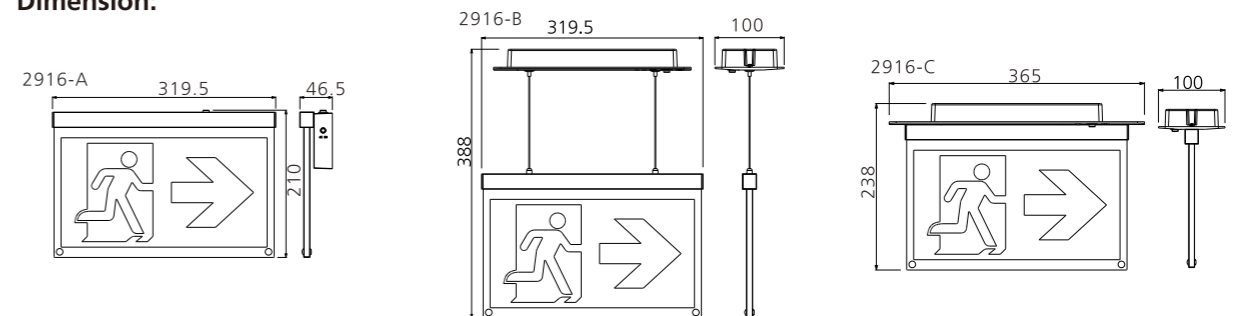
CE RoHS



Brand new Aluminum emergency exit sign  
Wall mounted/Ceiling mounted/Cord suspended ceiling mounted  
The light is equipped with 14pcs 2835 LED lights with a total of 1 Watt  
Includes direction stickers to indicate the correct exit  
Complies with IEC60598-2-22, ROHS  
With self-test functions : ZC 2916-A ZC 2916-B ZC 2916-C

Model No.	2916-A	2916-B	2916-C
Mode of operation	Maintained	Maintained	Maintained
Supply Voltage	220-240V/50-60Hz	220-240V/50-60Hz	220-240V/50-60Hz
Power Consumption	MAX2.6W	MAX2.6W	MAX2.6W
Output Voltage	DC5V±0.5V	DC5V±0.5V	DC5V±0.5V
Output Power	1W	1W	1W
Colour Temperature	6000-7000K	6000-7000K	6000-7000K
Battery	3.6V1000mAH NI-MH	3.6V1000mAH NI-MH	3.6V1000mAH NI-MH
Max Charge Current (mA)	MAX 90mA	MAX 90mA	MAX 90mA
Max Discharge Current (mA)	MAX 240mA	MAX 240mA	MAX 240mA
Charging Time	24H	24H	24H
Discharge Time	3H	3H	3H
LED	SMD2835 14PCS	SMD2835 14PCS	SMD2835 14PCS
IP Rating	IP20	IP20	IP20
Safety Classification	II	II	II
Certification	CE ROHS	CE ROHS	CE ROHS
Packing detail	71.6X37.1X19cm/6pcs	71.6X39.6X17.5cm/6pcs	51.2X37X22.5cm/6pcs

Dimension:



Optional multi directional legend stickers.



## EXIT SIGNS

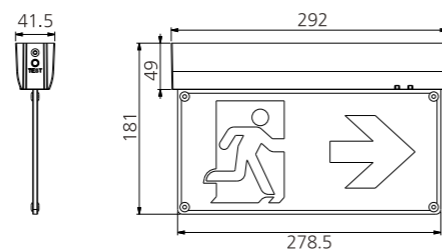


Brand new Plastic housing emergency exit sign  
Wall imounted/Ceiling mounted/  
Cord suspended ceiling mounted/side mounted  
The light is equipped with 24pcs 2835 LED lights  
Includes direction stickers to indicate the correct exit  
Complies with IEC60598-2-22.ROHS  
With self-test functions ZC2917

CE  RoHS

Model No.	2917
Mode of operation	Maintained/Non-Maintained
Supply Voltage	220-240V
Input power	4W
Output power	1.3W
Lumen Output	10LM
CCT	6000-7000K
Battery	3.2V1500mAH LiFePO4
Max Charge Current (mA)	130mA
Max Discharge Current (mA)	430mA
Charging Time	≤24h
Discharging Time	3h
Lamp	2835-0.2W*24PCS
IP Rating	IP20
P.F	≥0.4
Certification	CE
Packing detail	31.5X31.5X17.5cm/6pcs

Dimension:



Optional multi directional legend stickers.



## EXIT SIGNS

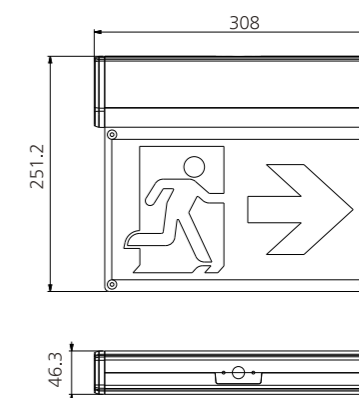


Brand new Plastic emergency exit sign  
Wall mounted/Ceiling mounted/Cord suspended ceiling mounted  
The light is equipped with 24pcs 2835 LED lights  
Includes direction stickers to indicate the correct exit  
Complies with IEC60598-2-22, ROHS

CE  RoHS

Model No.	2918
Mode of operation	Maintained/Non-Maintained
Supply Voltage	220-240V
Input power	4W
Output power	1.3W
Lumen Output	10LM
CCT	6000-7000K
Battery	3.2V1500mAH LiFePO4
Max Charge Current (mA)	130mA
Max Discharge Current (mA)	430mA
Charging Time	≤24h
Discharging Time	3h
Lamp	2835-0.2W*24PCS
IP Rating	IP20
P.F	≥0.4
Certification	CE
Packing detail	45x35x25cm/6pcs

Dimension:



Optional multi directional legend stickers.



## EMERGENCY DOWN LIGHT

Emergency LED downlight  
Rechargeable Nickel metal hydride battery  
Complies with CE,ROHS

Model No.	D40-R-2	D40-S
Mode of operation	Non-maintained	Non-Maintained
Supply Voltage	220-240V 50-60Hz	220-240V 50-60Hz
Power Consumption	4.5W MAX	4.5W MAX
Output Voltage	4.8V	4.8V
Output Power	2W	2W
Lumen Output	200Lm MAX	200Lm MAX
Battery	4.8V2100mAH Ni-Cd Battery	4.8V 2100mAH Ni-Cd Battery
Max Charge Current(mA)	350mA	350mA
Max Discharge Current(mA)	700mA	700mA
Charging Time	24H	24H
Discharging Time	3H	3H
Lamp	SMD 3030LED 3W	SMD 3030LED 3W
IP Rating	IP20	IP20
Certification	CE	CE
Packing detail	37.5X35X20cm/10PCS 7/6KGS	47.5X34.5X24.5cm/10PCS 16/15KGS



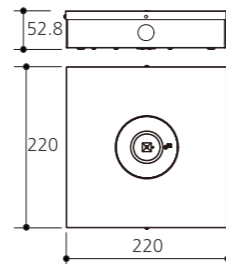
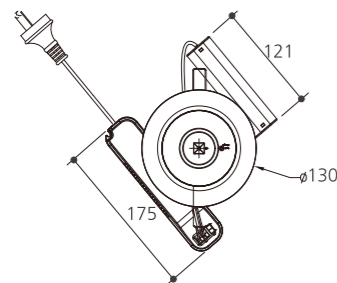
D40-R-2



D40-S



Dimension:



## EMERGENCY DOWN LIGHT

Emergency LED downlight  
Rechargeable Nickel metal hydride battery

Model No.	D40-C	DP40-P
Mode of operation	Maintained/Non-maintained	Maintained/Non-maintained
Supply Voltage	100-277V 50-60Hz	100-277V 50-60Hz
Power Consumption	4.5W MAX	4.5W MAX
Output Voltage	9.2V	9.2V
Output Power	1.2W	1.2W
Lumen Output	170Lm MAX	170Lm MAX
Battery	4.8V1000mAH Ni-Cd Battery	4.8V1000mAH Ni-Cd Battery
Max Charge Current(mA)	150mA	150mA
Max Discharge Current(mA)	450mA	450mA
Charging Time	24H	24H
Discharging Time	2H	2H
Lamp	SMD 3030LED 3W	SMD 3030LED 3W
IP Rating	IP20	IP20
Certification	CE	CE
Packing detail	35X24X29cm/10PCS 4.5/3.8KGS	35X24X29cm/10PCS 4.5/3.8KGS

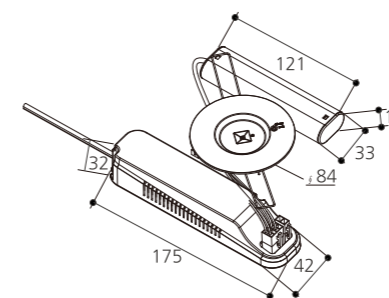
D40-C



DP40-P



Dimension:

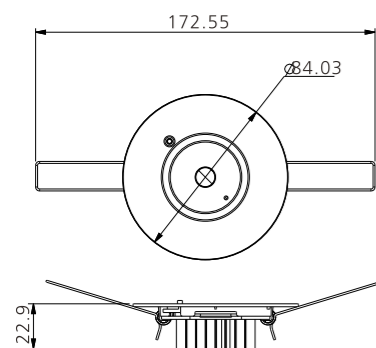


# EMERGENCY DOWN LIGHT



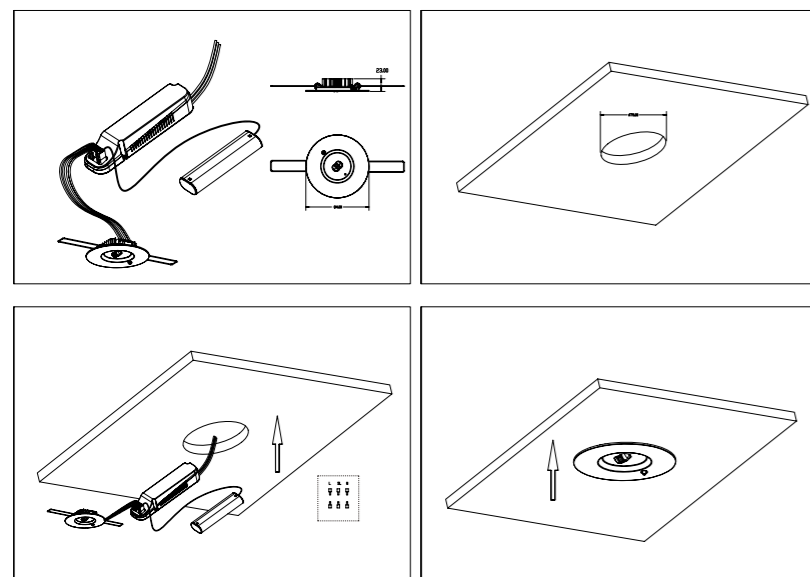
**CE** **RoHS**

**Dimension:**

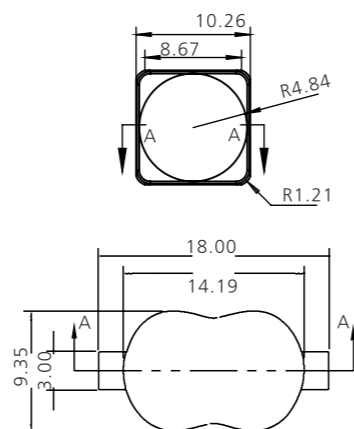


Model No.	185L-5W	185-5W
Mode of operation	No-Maintained	No-Maintained
Supply Voltage	220-240V/50-60Hz	220-240V/50-60Hz
Power Consumption	3.0W max	3.0W max
Output Voltage	3.6V DC	3.6V DC
Output Power	4W	4W
Lumen Output	450lm MAX	450lm MAX
Colour Temperature	6000-7000K	6000-7000K
Battery	3.6V4000mAh Ni-MH	3.6V4000mAh Ni-MH
Max Charge Current (mA)	300mA	300mA
Max Discharge Current (mA)	1450mA	1450mA
Charging Time	24H	24H
Discharge Time	3H	3H
LED	SMD3030-5W	SMD3030-5W
IP Rating	IP20	IP20
Safety Classification	II	II
Certification	CE ROHS	CE ROHS
Product material	PC	PC
Lens angle	120°	120°
Fix hole dimension	Φ70mm	Φ70mm
Product net weight(KGS)	0.345	0.345
Packing detail	38.5X28.5X21.4cm/10pcs	38.5X28.5X21.4cm/10pcs

**Ceiling installation**



**Optional Lens for different usage scenario**

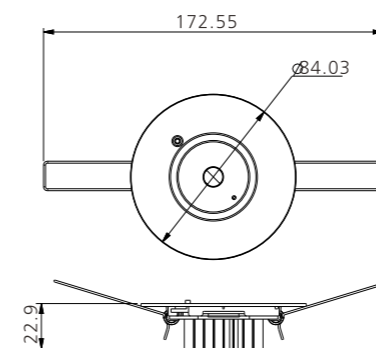


# EMERGENCY DOWN LIGHT



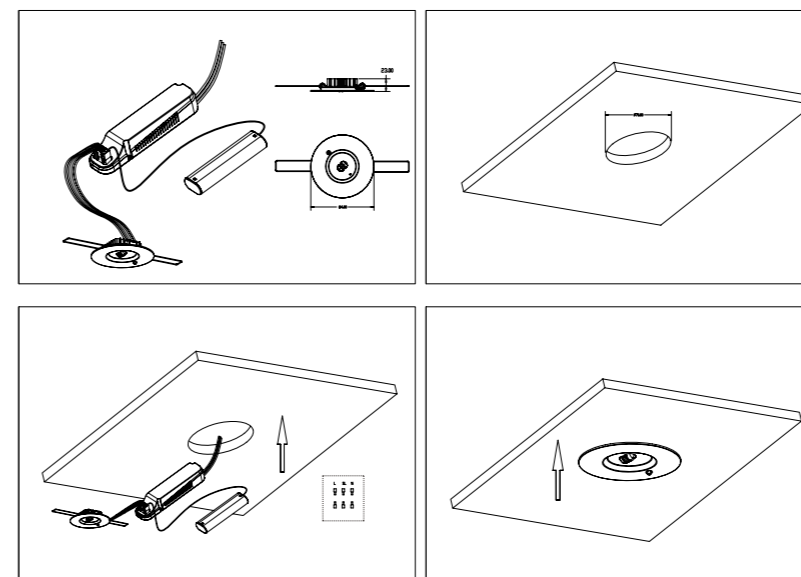
**CE** **RoHS**

**Dimension:**

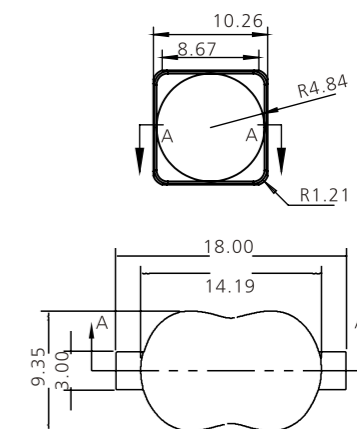


Model No.	185-3W	185L-3W
Mode of operation	No-Maintained	No-Maintained
Supply Voltage	220-240V/50-60Hz	220-240V/50-60Hz
Power Consumption	2.0W max	2.0W max
Output Voltage	3.6V DC	3.6V DC
Output Power	2W	2W
Lumen Output	200lm MAX	200lm MAX
Colour Temperature	6000-7000K	6000-7000K
Battery	3.6V2000mAh Ni-Cd	3.6V2000mAh Ni-Cd
Max Charge Current (mA)	200mA	200mA
Max Discharge Current (mA)	720mA	720mA
Charging Time	24H	24H
Discharge Time	3H	3H
LED	SMD3030-3W	SMD3030-3W
IP Rating	IP20	IP20
Safety Classification	II	II
Certification	CE ROHS	CE ROHS
Product material	PC	PC
Lens angle	120°	120°
Fix hole dimension	Φ70mm	Φ70mm
Product net weight(KGS)	0.345	0.345
Packing detail	38.5X28.5X21.4cm/10pcs	38.5X28.5X21.4cm/10pcs

**Ceiling installation**



**Optional Lens for different usage scenario**



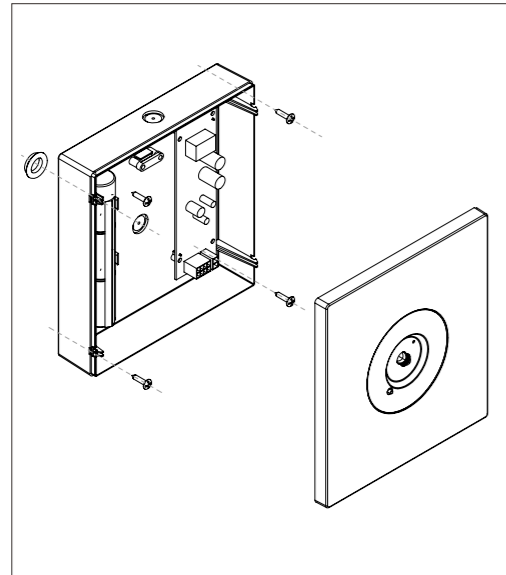
# EMERGENCY DOWN LIGHT

Emergency LED downlight  
Rechargeable Nickel metal hydride battery  
Complies with IEC60598-2-22, ROHS

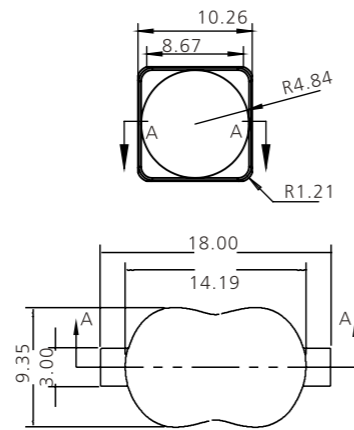


Model No.	185B-3W	185BL-3W	185B-5W	185BL-5W
Mode of operation	No-Maintained	No-Maintained	No-Maintained	No-Maintained
Supply Voltage	220-240V/50-60Hz	220-240V/50-60Hz	220-240V/50-60Hz	220-240V/50-60Hz
Power Consumption	2W MAX	2W MAX	3W MAX	3W MAX
Output Voltage	3.6V	3.6V	3.6V	3.6V
Output Power	2W	2W	4W	4W
Lumen Output	200Lm MAX	200Lm MAX	450Lm MAX	450Lm MAX
Colour Temperature	6000-7000K	6000-7000K	6000-7000K	6000-7000K
Battery	3.6V2000mAH Ni-Cd	3.6V2000mAH Ni-Cd	3.6V4000mAH Ni-MH	3.6V4500mAH Ni-MH
Max Charge Current(mA)	200mA	200mA	300mA	300mA
Max Discharge Current (mA)	720mA	720mA	1450mA	1450mA
Charging Time	24H	24H	24H	24H
Discharge Time	3H	3H	3H	3H
LED	SMD3030-3W	SMD3030-3W	SMD3030-3W	SMD3030-3W
IP Rating	IP20	IP20	IP20	IP20
Safety Classification	II	II	II	II
Certification	CE ROHS	CE ROHS	CE ROHS	CE ROHS

## Installation box



## Optional Lens for different usage scenario



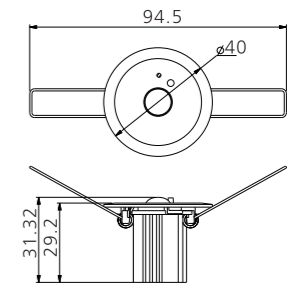
# EMERGENCY DOWN LIGHT

Emergency LED downlight  
Rechargeable Nickel metal hydride battery  
Complies with IEC60598-2-22, ROHS

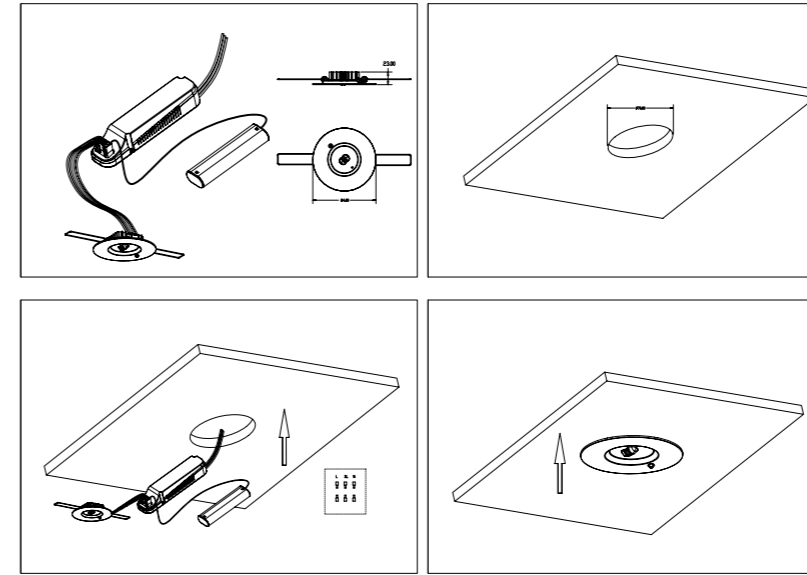


Model No.	140-3W	140-1.5W
Mode of operation	No-Maintained	No-Maintained
Supply Voltage	220-240V/50-60Hz	220-240V/50-60Hz
Power Consumption	2.8W MAX	2W MAX
Output Voltage	3.6V	3.6V
Output Power	2W	1W
Lumen Output	200Lm MAX	100Lm MAX
Colour Temperature	6000-7000K	6000-7000K
Battery	3.6V2000mAH Ni-Cd	3.6V1500mAH Ni-Cd
Max Charge Current(mA)	270mA	80mA
Max Discharge Current (mA)	720mA	350mA
Charging Time	24H	24H
Discharge Time	3H	3H
LED	SMD3030-3W	SMD3030-3W
IP Rating	IP20	IP20
Safety Classification	II	II
Certification	CE ROHS	CE ROHS

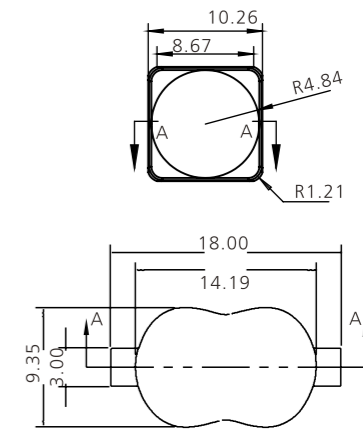
## Dimension:



## Ceiling installation



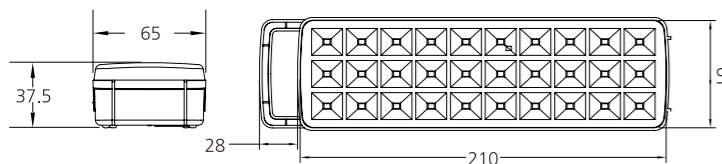
## Optional Lens for different usage scenario



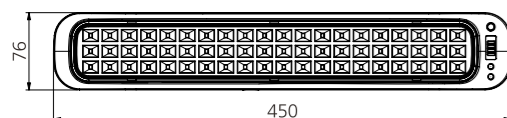
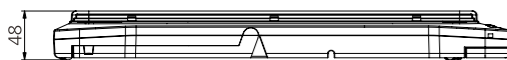
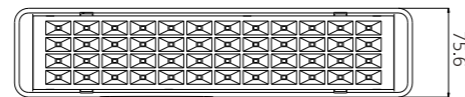
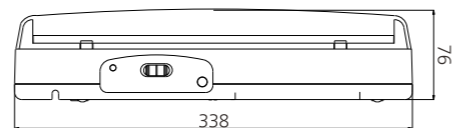
## SLIM LINEAR EMERGENCY LIGHT



<b>Model No.</b>	<b>2128</b>
Mode of operation	Non-Maintained
Lamp	30PCS SMD3528 LED
Battery	3.7V1200mAH Li-ion battery
Rated supply voltage	110-240V
Full change	approx.24hours
Duration	approx 3Hours/Hi, 6Hours/Lo
Lumen Output	100LM/Hi, 80LM/Lo
Colour Temperature	6500k
Packing detail	50X23.6X27CM/30pcs



<b>Model No.</b>	<b>2385-LD</b>
Mode of operation	Non-Maintained
Lamp	48PCS Powerful SMD3528LED
Battery	3.7V2000MAH Li-ion battery Two way Brightness Hi or Lo
Rated supply voltage	100-277V
Full change	approx.24hours
Duration	approx 4H/Hi, 8H/Lo
Lumen Output	200LM/Hi, 100LM/Lo
Colour Temperature	6500k
Packing detail	36X32.5X24cm/15pcs

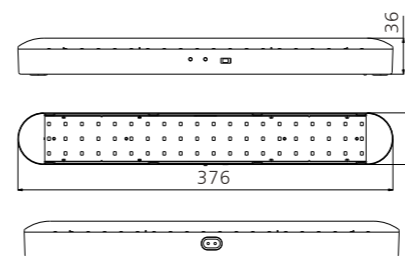


<b>Model No.</b>	<b>9185-LD</b>
Mode of operation	Non-Maintained
Lamp	60PCS Powerful SMD3528LED
Battery	3.7V3000MAH Li-ion battery
Rated supply voltage	100-277V
Full change	approx.24hours
Duration	approx 3H/Hi, 6H/Lo
Lumen Output	300LM/Hi, 150LM/Lo
Colour Temperature	6500k
Packing detail	47.5x27.5x24.5cm/12pcs

## SLIM LINEAR EMERGENCY LIGHT



### Dimension:



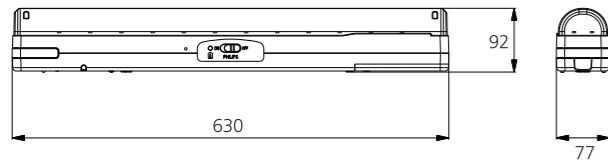
Model No.	9330	9360	9390
Mode of operation	Non-Maintained	Non-Maintained	Non-Maintained
Supply Voltage	220-240V/50-60Hz	220-240V/50-60Hz	220-240V/50-60Hz
Power Consumption	2W	2W	3W
Output Voltage	5V±0.5V	5V±0.5V	5V±0.5V
Output Power	1W	2.5W	5W
Lumen Output	100Lm MAX	240Lm MAX	400Lm MAX
Colour Temperature	6000-7000K	6000-7000K	6000-7000K
Battery	3.6V1000mAH Li-ion	3.6V2000mAH Li-ion	2X3.6V2000mAH Li-ion
Max Charge Current (mA)	200mA	200mA	450mA
Max Discharge Current (mA)	350mA	600mA	1300mA
Charging Time	24H	24H	24H
Discharge Time	3H / 10H	3H / 10H	3H / 10H
LED	SMD3528 30PCS	SMD3528 60PCS	SMD3528 90PCS
IP Rating	IP20	IP20	IP20
Safety Classification	II	II	II
Certification	CE ROHS	CE ROHS	CE ROHS
Packing detail	35X32X17cm/18pcs	35X32X17cm/18pcs	35X32X17cm/18pcs

## SLIM LINEAR EMERGENCY LIGHT

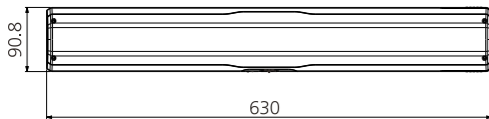
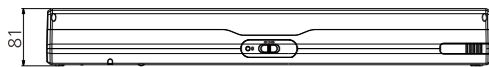


CE RoHS

<b>Model No.</b>	<b>6305LI</b>
Mode of operation	Non-Maintained
Supply Voltage	100-277V
Input power	2W
Output power	3.5W
Lumen Output	350LM
CCT	6000-7000K
Battery	3.7V3000mAH Li-ion
Max Charge Current (mA)	200mA
Max Discharge Current (mA)	1200mA
Charging Time	≤24h
Discharging Time	Strong mode≥3H Weak mode≥6H
Lamp	2835-0.2W*60PCS
IP Rating	IP20
P.F	≥0.4
Certification	CE
Packing detail	67.5x33x18.5cm/6pcs



<b>Model No.</b>	<b>6306LI</b>
Mode of operation	Non-Maintained
Supply Voltage	100-277V
Input power	2W
Output power	3.5W
Lumen Output	350LM
CCT	6000-7000K
Battery	3.7V3000mAH Li-ion
Max Charge Current (mA)	200mA
Max Discharge Current (mA)	1200mA
Charging Time	≤24h
Discharging Time	Strong mode≥3H Weak mode≥6H
Lamp	2835-0.2W*60PCS
IP Rating	IP20
P.F	≥0.4
Certification	CE
Packing detail	68x38x17.5cm/6pcs



## DUAL HEAD EMERGENCY LIGHT



CE RoHS

**MODEL: JLEU5FK**

- Injection-molded thermoplastic ABS housing
- Innovative,easy installation in minutes
- Suitable for wall mount applications
- Universal J-box mounting pattern.
- 120V-277VAC Universal voltage operation.
- 2X12Pcs ultra bright 2835 SMT LED lamp heads for emergency mode..
- Built-in 3.6V 1000mAh Ni-MH battery for minimum 180 minutes emergency operation.
- Maximum 24 hours for full recharge time.
- Test switch and charge indicator.



**MODEL: JLEU9FK**

- Injection-molded thermoplastic ABS housing
- Innovative,easy installation in minutes
- Suitable for wall mount applications
- Universal J-box mounting pattern.
- 120V-277VAC Universal voltage operation.
- 2X12Pcs ultra bright 2835 SMT LED lamp heads for emergency mode..
- Built-in 3.6V 1000mAh Ni-MH battery for minimum 180 minutes emergency operation.
- Maximum 24 hours for full recharge time.
- Test switch and charge indicator.



**MODEL: JLEU10FK**

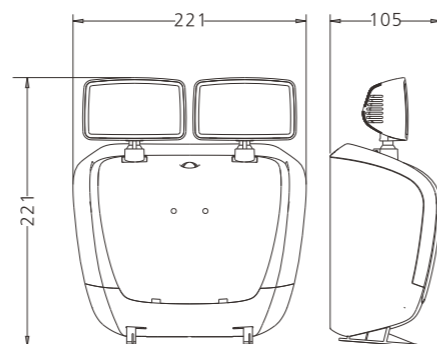
- Injection-molded thermoplastic ABS housing
- Innovative,easy installation in minutes
- Suitable for wall mount applications
- Universal J-box mounting pattern.
- 120V-277VAC Universal voltage operation.
- 2pcs 1W ultra bright 3030 SMT LED lamp heads for emergency mode..
- Built-in 3.6V 1000mAh Ni-MH battery for minimum 180 minutes emergency operation.
- Maximum 24 hours for full recharge time.
- Test switch and charge indicator.

## TWIN SPOT EMERGENCY LIGHTING



**CE**  **RoHS**

**Dimension:**



High lumen output twin spot emergency light  
Clear polycarbonate diffuser & steel housing  
High-power LED module each head  
2 hours non-maintained operation  
Complies with IEC60598-2-22, ROHS

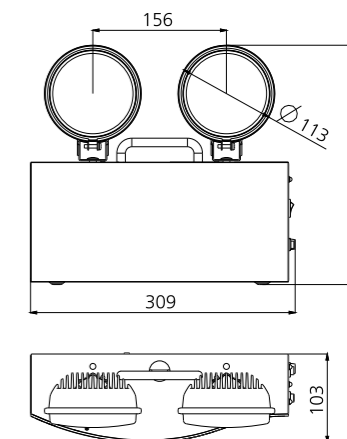
Model No.	BLA1000	BLA2000
Mode of operation	Non-Maintained	Non-Maintained
Supply Voltage	100-240VAC 50/60Hz	100-240VAC 50/60Hz
Power Consumption	5.5W	5.5W
Output Voltage	6V	6V
Output Power	6W	12W
Lumen Output	400Lm MAX	800Lm MAX
Battery	6V4Ah Lead-acid Battery	6V7.2Ah Lead-acid Battery
Max Charge Current(mA)	450mA	450mA
Max Discharge Current(mA)	1.8A	2.8A
Charging Time	2H	2H
Discharging Time	8H/4H	8H/4H
Lamp	High-power 1W LED*6pcs	High-power 3W LED*6pcs
IP Rating	IP20	IP20
Certification	CE ROHS	CE ROHS
Packing detail	52X33X33.5cm/5pcs 18/17KGS	52X33X33.5cm/5pcs 18/17KGS

## TWIN SPOT EMERGENCY LIGHTING

New twin spot emergency light IP20  
Clear polycarbonate diffuser & ABS housing  
COB-20W LED each head provide 657 lumen output  
3 hours non-maintained operation  
Complies with IEC60598-2-22, ROHS

Model No.	9808
Mode of operation(AC/DC/DC)	Non-Maintained
Supply Voltage	AC100-240V-50/60HZ
Power Consumption	6.8W
Output Voltage	36V MAX
Output Power	14W
Lumen Output	1200LM
Colour Temperature	6500-7500K
Battery	12V/7000mAH Sealed Lead-acid Battery
Max Charge Current (mA)	350MA
Max Discharge Current (mA)	1800MA
Charging Time	24H
Discharge Time	3H
LED	COB-20W*2PCS
IP Rating	IP20
Safety Classification	II
Product material	PC+IRON
Use of environment	0-40°C
P.F	0.416
Beam angle	120
CRI	72

**Dimension:**



**CE**  **RoHS**

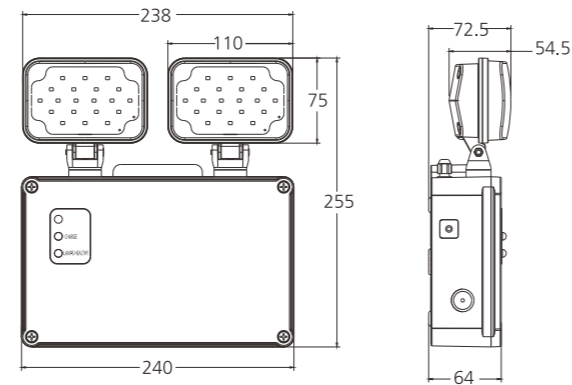




## TWIN SPOT EMERGENCY LIGHTING



**Dimension:**



New twin spot emergency light IP65  
Clear polycarbonate diffuser & ABS housing  
2x20pcs SMD2835 LED each head  
3 hours non-maintained operation  
Complies with IEC60598-2-22, ROHS  
With self-test functions : ZC 2922-600/ZC 2922-1000

Model No.	2922-600	2922-1000
Mode of operation	Non-Maintained	Non-Maintained
Supply Voltage	220-240V	220-240V
Input power	3W	3W
Output power	6W	10W
Lumen Output	600LM	1000LM
CCT	6000-7000K	6000-7000K
Battery	12.8V2000mAh LiFePO4	12.8V3000mAh LiFePO4
Max Charge Current (mA)	250mA	250mA
Max Discharge Current (mA)	1500mA	2000MA
Charging Time	≤24h	≤24h
Discharging Time	3h	3h
Lamp	2835-0.2W*40PCS	2835-0.5W*40PCS
IP Rating	IP65	IP65
P.F	≥0.4	≥0.4
Certification	CE	CE
Packing detail	45x26.5x28.5cm/6pcs	45x26.5x28.5cm/6pcs

## TWIN SPOT EMERGENCY LIGHTING

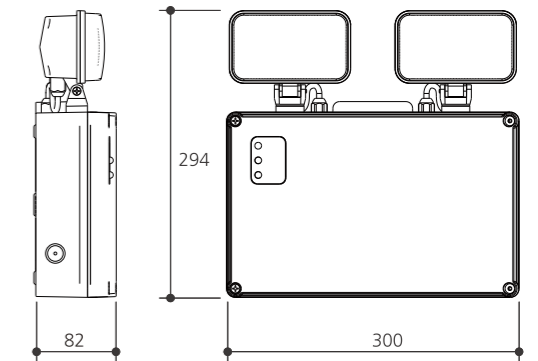


New twin spot emergency light IP65  
Clear polycarbonate diffuser & ABS housing  
2x28pcs SMD2835 LED each head provide 650 lumen output  
3 hours non-maintained operation  
Complies with IEC60598-2-22, ROHS  
With self-test functions : ZC 2921-650/ZC2921-1500

Model No.	2921	2921-1500	2921-2000
Mode of operation	Non-Maintained	Non-Maintained	Non-Maintained
Supply Voltage	220-240V	220-240V	220-240V
Input power	5W	5.5W	5.5W
Output power	10.5W	15W	20W
Lumen Output	650LM	1500LM	2000LM
CCT	6000-7000K	6000-7000K	6000-7000K
Battery	12V2800mAh Ni-Cad Battery	12.8V4500mAh LiFePO4 Battery	12.8V6000mAh LiFePO4 Battery
Max Charge Current (mA)	240mA	350mA	350mA
Max Discharge Current (mA)	1A	1.8A	2.2A
Charging Time	≤24h	≤24h	≤24h
Discharging Time	3H	3H	3H
Lamp	2X28PCS SMD2835LED	2X28PCS SMD2835LED	2X28PCS SMD2835LED
IP Rating	IP65	IP65	IP65
P.F	≥0.4	≥0.4	≥0.4
Certification	CE	CE	CE
Packing detail	44X32X32cm/5pcs 10/9KGS	44X32X32CM/5PCS	44X32X32CM/5PCS



**Dimension:**



## LED EMERGENCY DRIVER



Emergency battery pack for led fittings  
4W/8W constant output for most of led loads  
Provides minimum 180 minutes emergency duration  
Rechargeable Nickel cadmium battery  
Plastic housing  
Complies with IEC60598-2-22, ROHS



Model No.	JLEB-53-EU	JLEB-83-EU
Emergency efficiency	Depends on fitting construction	Depends on fitting construction
Input Voltage	AC 220-240V 50/60Hz	AC 220-240V 50/60Hz
Battery	6V4.5AH Nickel Cadmium	9.6V4.5AH Nickel Cadmium
Output power	4W Max	8W Max
Duration time	3 Hours	3 Hours
Charge time	24 Hours	24Hours
Material	ABS	ABS
PCB	Retardant board	Retardant board
Protection Level	IP20	IP20
Indicator	GREEN: Charging	GREEN: Charging
Controller Dimension	190X50X37 mm	190X50X37 mm
Operation	Maintained	Maintained
Certificate	CE, ROHS	CE, ROHS
PCB Warranty	3 years	3 years
Battery Warranty	2 years	2 years
Accessories	Test Button, LED INDICATOR	Test Button, LED INDICATOR

Emergency battery pack for led fittings  
Provides 100% emergency efficiency in emergency mode  
Provides minimum 90 minutes emergency duration  
Rechargeable Nickel cadmium battery  
STEEL housing  
Complies with IEC60598-2-22, ROHS

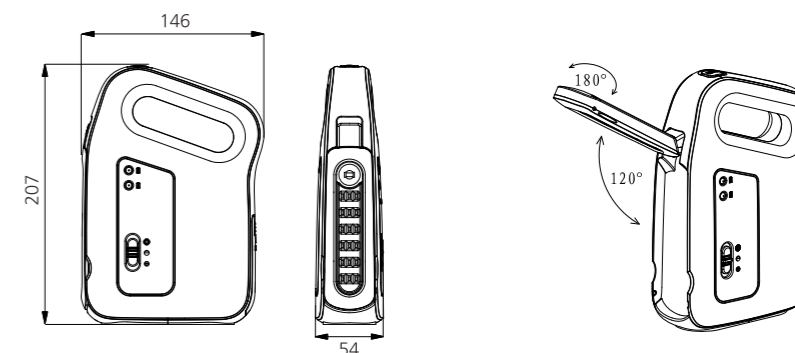


Model No.	JLEB-10-EU	JLEB-20-EU
Emergency efficiency	100%	100%
Input Voltage	AC 220-240V 50/60Hz	AC 220-240V 50/60Hz
Battery	6V5AH Nickel Cadmium	14.4V4AH Nickel Cadmium
Output power	10W Max	20W Max
Duration time	≥90 min	≥90 min
Charge time	24 Hours	24 Hours
Material	Metal	Metal
PCB	Retardant board	Retardant board
Protection Level	IP20	IP20
Indicator	GREEN: Charging	GREEN: Charging
Controller Dimension	19X5X3.7 cm	19X5X3.7 cm
Operation	Maintained	Maintained
Certificate	CE, ROHS	CE, ROHS, SAA
PCB Warranty	3 years	3 years
Battery Warranty	2 years	2 years
Accessories	Test Button, LED indicator	Test Button, LED INDICATOR

## PORTABLE RECHARGEABLE LAMP



Model No.	G2LI
Mode of operation	Non-Maintained
Supply Voltage	100-277V
Input power	2.5W
Output power	0.9W
Lumen Output	100LM
CCT	6000-7000K
Battery	3.7V1200mAh Li-ion
Max Charge Current (mA)	250mA
Max Discharge Current (mA)	320mA
Charging Time	≤6h
Discharging Time	Strong mode≥3H Weak mode≥10H, Spotlight≥20H
Lamp	3014-0.2W*18PCS and 3020-1W*1PCS
IP Rating	IP20
P.F	≥0.4
Certification	CE
Packing detail	42x35x26cm/10pcs



## PORTABLE RECHARGEABLE LAMP



<b>Model No.</b>	<b>420S-25</b>
Mode of operation	Non-Maintained
Lamp	24PCS SMD3528LED+1PCS SMD5050LED
Battery	3.7V2000MAH Li-ion battery
Full charge	Approx 15-24Hours
Discharge Time	4Hours/24pcs LED 30Hours/1pcs,LED
Packing detail	49.5x32.5x25.5cm/10PCS

<b>Model No.</b>	<b>256LI</b>
Mode of operation	Non-Maintained
Supply Voltage	100-277V
Input power	2.5W
Output power	0.9W
Lumen Output	100LM
CCT	6000-7000K
Battery	3.7V1200mAH Li-ion
Max Charge Current (mA)	250mA
Max Discharge Current (mA)	320mA
Charging Time	≤6h
Discharging Time	Strong mode≥3H Weak mode≥10H
Lamp	2835-0.2W*24PCS
IP Rating	IP20
P.F	≥0.4
Certification	CE
Packing detail	51x37x29cm/10pcs



<b>Model No.</b>	<b>258LI</b>
Mode of operation	Non-Maintained
Supply Voltage	100-277V
Input power	2W
Output power	3.2W
Lumen Output	300LM
CCT	6000-7000K
Battery	3.7V4000mAH Li-ion
Max Charge Current (mA)	200mA
Max Discharge Current (mA)	880mA
Charging Time	≤24h
Discharging Time	Strong mode≥4H Weak mode≥4H
Lamp	2835-0.2W*120PCS
IP Rating	IP20
P.F	≥0.4
Certification	CE
Packing detail	47.5x41x24cm/12pcs

## LED TABLE LAMP



MODEL 33305



MODEL 33301



MODEL 33303



MODEL 33302

